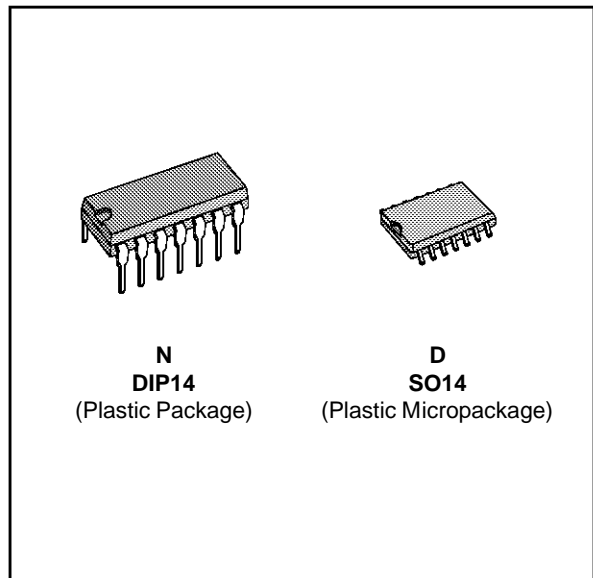


LOW POWER QUAD BIPOLAR OPERATIONAL AMPLIFIERS

- GOOD CONSUMPTION/SPEED RATIO : ONLY 200 μ A/Amp FOR 2.1MHz, 2V/ μ s
- SINGLE (OR DUAL) SUPPLY OPERATION FROM +4V TO +44V (\pm 2V TO \pm 22V)
- WIDE INPUT COMMON MODE VOLTAGE RANGE INCLUDING V_{CC}^-
- LOW LEVEL OUTPUT VOLTAGE CLOSE TO V_{CC}^- : 100mV TYPICAL
- PIN TO PIN COMPATIBLE WITH STANDARD QUAD OP AMPs
- ESD PROTECTION



DESCRIPTION

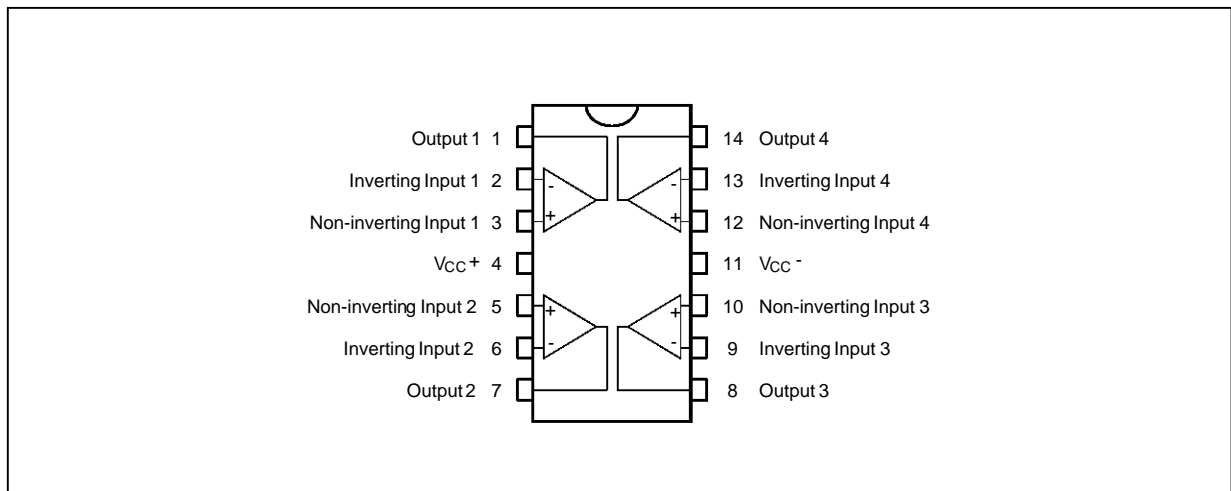
The MC33174 series are quad bipolar operational amplifiers offering both low consumption (200 μ A/Amp) and good speed (2.1MHz, 2V/ μ s). Moreover the Input Common Mode Range extends down to the lower supply rail, allowing single supply operation from +4V to +44V.

ORDER CODES

Part Number	Temperature Range	Package	
		N	D
MC33174	-40°C, +105°C	•	•
MC35174	-55°C, +125°C	•	•
Example: MC33174N			

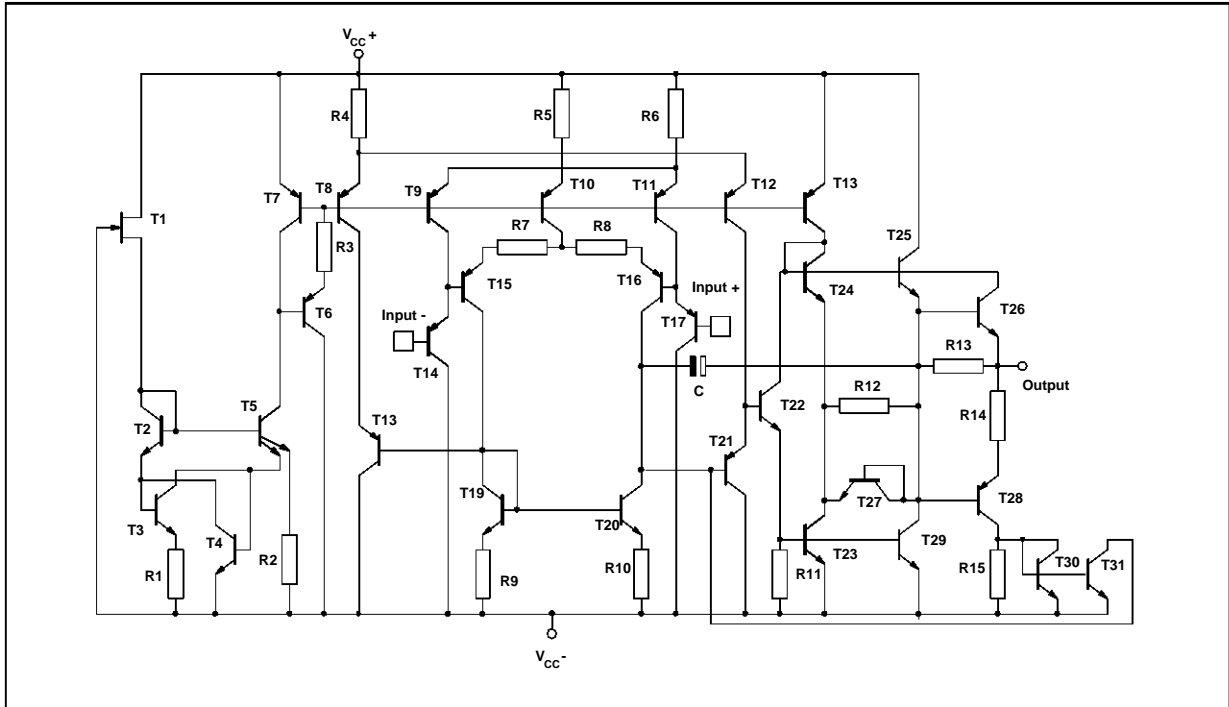
33174-01.TBL

PIN CONNECTIONS (top view)



33174-01.LEPS

SCHEMATIC DIAGRAM (for 1/4 MC33174)



33174-02.EPS

ABSOLUTE MAXIMUM RATINGS

Symbol	Parameter	Value	Unit
V_{CC}	Supply Voltage	± 22	V
V_{id}	Differential Input Voltage	(Note 1)	V
V_i	Input Voltage	(Note 1)	V
	Output Short Circuit Duration	Indefinite	s
T_{oper}	Operating Temperature Range	MC33174 MC35174	$^{\circ}C$
T_j	Junction Temperature	150	$^{\circ}C$
T_{stg}	Storage Temperature	-65 to 150	$^{\circ}C$

Note 1: Either or both input voltages must not exceed the magnitude of V_{CC} .

33174-03.TBL

OPERATING CONDITIONS

Symbol	Parameter	Value	Unit
V_{CC}	Supply Voltage Range	± 2 to ± 22	V

33174-03.TBL

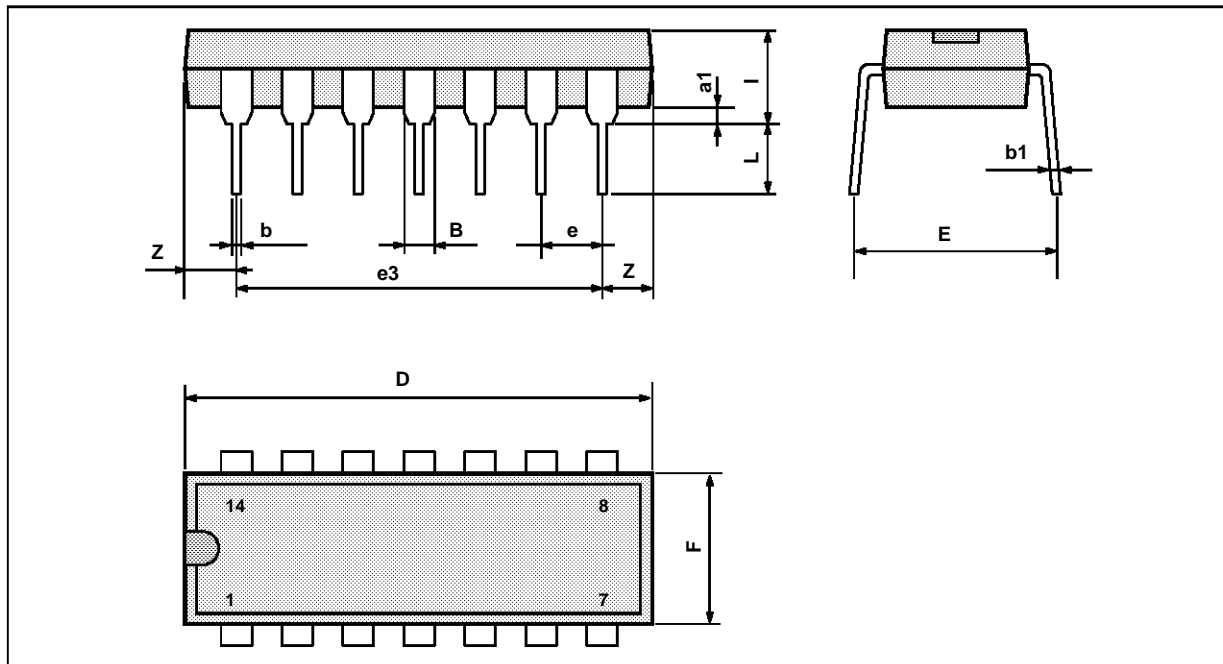
ELECTRICAL CHARACTERISTICS
 $V_{CC}^+ = +15V$, $V_{CC}^- = -15V$, R_L connected to Ground, $T_{amb} = 25^\circ C$ (unless otherwise specified)

Symbol	Parameter	Min.	Typ.	Max.	Unit
V_{io}	Input Offset Voltage $V_{CC}^+ = +15V$, $V_{CC}^- = -15V$, $V_{ic} = 0V$ $V_{CC}^+ = 5V$, $V_{CC}^- = 0V$, $V_{ic} = 0V$, $V_o = 1.4V$ $V_{CC}^+ = +15V$, $V_{CC}^- = -15V$, $V_{ic} = 0V$, $T_{min.} \leq T_{amb} \leq T_{max.}$		1 1	4.5 5 6.5	mV
DV_{io}	Input Offset Voltage Drift		10		$\mu V/^\circ C$
I_{io}	Input Offset Current ($V_{ic} = 0V$) $T_{min.} \leq T_{amb} \leq T_{max.}$		5	20 40	nA
I_{ib}	Input Bias Current ($V_{ic} = 0V$) $T_{min.} \leq T_{amb} \leq T_{max.}$		20	100 200	nA
A_{vd}	Large Signal Voltage Gain ($R_L = 10k\Omega$, $V_o = \pm 10V$) $T_{min.} \leq T_{amb} \leq T_{max.}$	50 25	100		V/mV
V_{OH}	High Level Output Voltage $V_{CC}^+ = 5V$, $V_{CC}^- = 0V$, $R_L = 10k\Omega$ $V_{CC}^+ = +15V$, $V_{CC}^- = -15V$, $R_L = 10k\Omega$ $V_{CC}^+ = +15V$, $V_{CC}^- = -15V$, $R_L = 10k\Omega$, $T_{min.} \leq T_{amb} \leq T_{max.}$	3.5 13.6 13.3	4.2 14.2		V
V_{OL}	Low Level Output Voltage $V_{CC}^+ = 5V$, $V_{CC}^- = 0V$, $R_L = 10k\Omega$ $V_{CC}^+ = +15V$, $V_{CC}^- = -15V$, $R_L = 10k\Omega$ $V_{CC}^+ = +15V$, $V_{CC}^- = -15V$, $R_L = 10k\Omega$, $T_{min.} \leq T_{amb} \leq T_{max.}$		0.1 -14	0.15 -13.6 -13.3	V
I_{sc}	Output Short Circuit Current ($V_{id} = \pm 1V$, $V_o = 0V$) Source Sink	3 15	6 27		mA
V_{icm}	Input Common Mode Voltage Range $T_{min.} \leq T_{amb} \leq T_{max.}$				V
CMR	Common Mode Rejection Ratio ($V_i = V_{icm.min.}$)	80	100		dB
SVR	Supply Voltage Rejection Ratio ($V_{CC} = \pm 5$ to $\pm 15V$)	80	100		dB
I_{CC}	Supply Current (per amplifier) $V_{CC}^+ = 5V$, $V_{CC}^- = 0V$, no load $V_{CC}^+ = +15V$, $V_{CC}^- = -15V$, no load $V_{CC}^+ = +15V$, $V_{CC}^- = -15V$, no load, $T_{min.} \leq T_{amb} \leq T_{max.}$		200 220	250 250 300	μA
SR	Slew Rate ($V_i = \pm 10V$, $R_L = 10k\Omega$, $C_L = 100pF$)	1.6	2		V/ μs
GBP	Gain Bandwidth Product ($R_L = 10k\Omega$, $C_L = 100pF$, $f = 100kHz$)	1.4	2.1		MHz
ϕ_m	Phase Margin ($R_L = 10k\Omega$, $C_L = 100pF$)		45		Degrees
e_n	Equivalent Input Noise Voltage ($f = 1kHz$)		29		$\frac{nV}{\sqrt{Hz}}$
THD	Total Harmonic Distortion		0.05		%
V_{O1}/V_{O2}	Channel Separation		120		dB

33174-04.TBL

MC33174 - 35174

PACKAGE MECHANICAL DATA
14 PINS - PLASTIC DIP

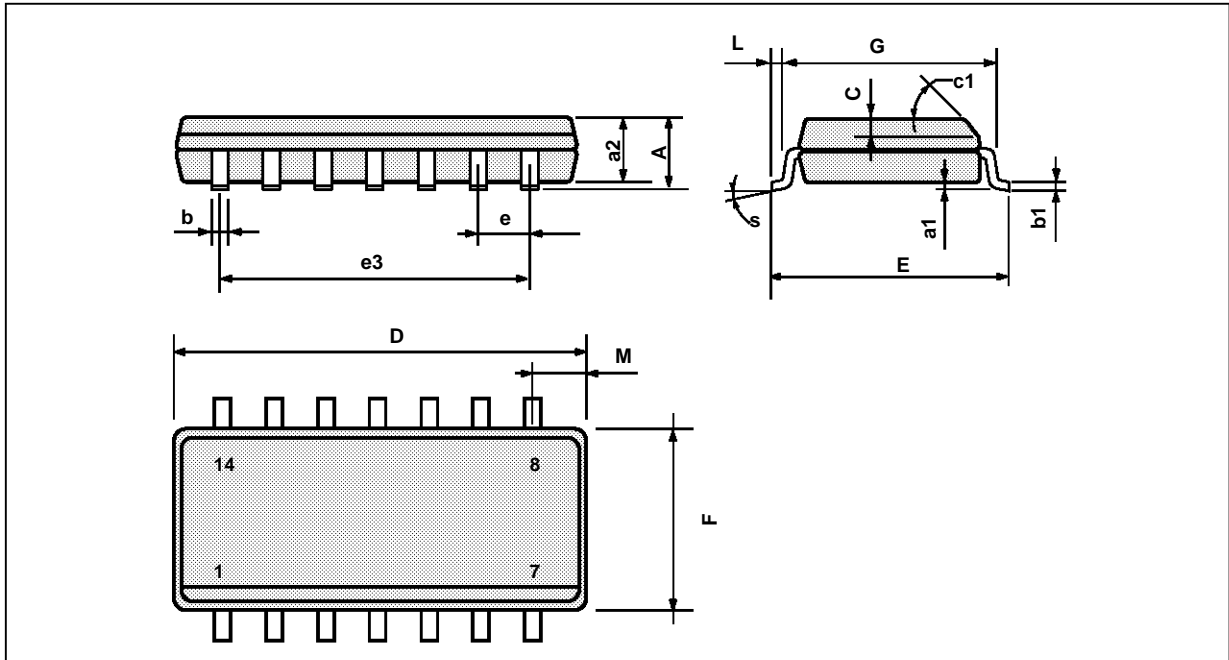


PM-DIP14.TBL

Dimensions	Millimeters			Inches		
	Min.	Typ.	Max.	Min.	Typ.	Max.
a1	0.51			0.020		
B	1.39		1.65	0.055		0.065
b		0.5			0.020	
b1		0.25			0.010	
D			20			0.787
E		8.5			0.335	
e		2.54			0.100	
e3		15.24			0.600	
F			7.1			0.280
i			5.1			0.201
L		3.3			0.130	
Z	1.27		2.54	0.050		0.100

DIP14.TBL

PACKAGE MECHANICAL DATA
14 PINS - PLASTIC MICROPACKAGE (SO)



PM-DIP14.EPS

Dimensions	Millimeters			Inches		
	Min.	Typ.	Max.	Min.	Typ.	Max.
A			1.75			0.069
a1	0.1		0.2	0.004		0.008
a2			1.6			0.063
b	0.35		0.46	0.014		0.018
b1	0.19		0.25	0.007		0.010
C		0.5			0.020	
c1	45° (typ.)					
D	8.55		8.75	0.336		0.334
E	5.8		6.2	0.228		0.244
e		1.27			0.050	
e3		7.62			0.300	
F	3.8		4.0	0.150		0.157
G	4.6		5.3	0.181		0.208
L	0.5		1.27	0.020		0.050
M			0.68			0.027
S	8° (max.)					

SO14.TBL

Information furnished is believed to be accurate and reliable. However, SGS-THOMSON Microelectronics assumes no responsibility for the consequences of use of such information nor for any infringement of patents or other rights of third parties which may result from its use. No licence is granted by implication or otherwise under any patent or patent rights of SGS-THOMSON Microelectronics. Specifications mentioned in this publication are subject to change without notice. This publication supersedes and replaces all information previously supplied. SGS-THOMSON Microelectronics products are not authorized for use as critical components in life support devices or systems without express written approval of SGS-THOMSON Microelectronics.

© 1995 SGS-THOMSON Microelectronics - All Rights Reserved

SGS-THOMSON Microelectronics GROUP OF COMPANIES

Australia - Brazil - France - Germany - Hong Kong - Italy - Japan - Korea - Malaysia - Malta - Morocco - The Netherlands
Singapore - Spain - Sweden - Switzerland - Taiwan - Thailand - United Kingdom - U.S.A.

ORDER CODE :